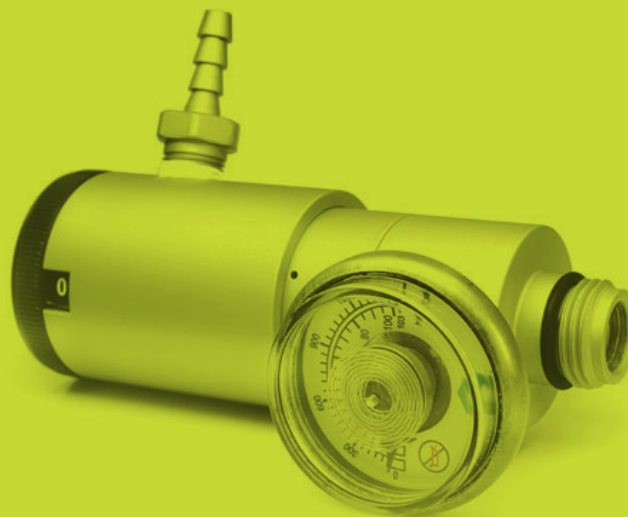




Vonix Limited
www.vonix.co.uk

Vari Flow Regulators

For Gas Cylinders



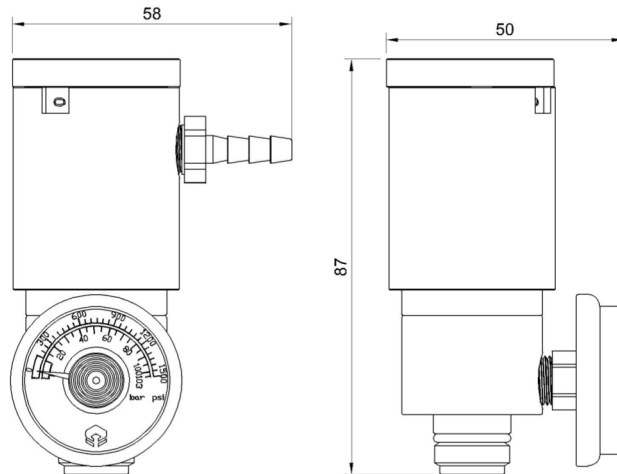
PRODUCT CODE SERIES 3000

vonix



VARI FLOW REGULATOR C10 STAINLESS STEEL

Product Code: 3001



Warranty:- All regulators are warranted for 12 months.

The Vari flow regulator uses a single stage design which gives the end user a series of preset constant flow rates. The Dial on the top of the regulator is to be used to manually change the flow rates. Used for calibration gases & handheld gas detectors.

Materials of construction

Body	Stainless Steel
Neck	Stainless Steel
Piston	Stainless Steel
Seats and Seals	Teflon, Viton & Buna-N
Bonnet	Aluminum Black Anodized

Flow rate options

1.	0-0.3-0.5-1.0-1.5-2.0-2.5-3.0-5.0-6.0-7.0-8.0 L/Mn
2.	0-0.15-0.3-0.5-0.75-1.0-1.25-1.5-1.75-2.0-2.5-3.0 L/Mn
3.	0-0.5-1.0-1.5-2.0-2.5-3.0-5.0-6.0-7.0-10.0-15.0 L/Mn

Model	Maximum Inlet Pressure	For Reactive gases and/or non-reactive gases	Flow rates	Inlet Connection	Outlet Connection	Gauge	Weight Kg
3001	0 to 1200 psig/ 83 bar	Stainless Steel For Reactive Gases	Refer flow rate table	5/8"x18UN C10	3/16" Barb 4.8mm	Stainless Steel 0 to 1500 psig 103 bar	0.460 Kg

VONIX

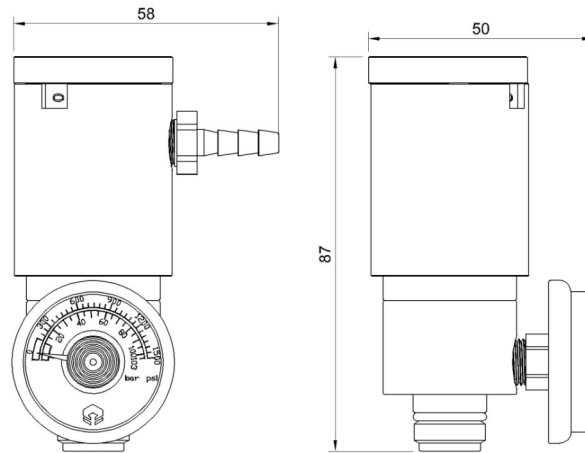
Vonix Limited

E: info@vonix.co.uk
W: www.vonix.co.uk



VARI FLOW REGULATOR C10 ALUMINIUM ANODISED

Product Code: 3002



Warranty:- All regulators are warranted for 12 months.

The Vari Flow Regulator uses a single stage design which gives the end user a series of preset constant flow rates. The Dial on the top of the regulator is to be used to manually change the flow rates. Used for calibration gases & handheld gas detectors.

Materials of construction

Body	Aluminum Silver anodized
Neck	Aluminum Silver anodized
Piston	Brass
Seats and Seals	Teflon, Viton & Buna-N
Bonnet	Aluminum Black Anodized

Flow rate options

1.	0-0.3-0.5-1.0-1.5-2.0-2.5-3.0-5.0-6.0-7.0-8.0 L/Mn
2.	0-0.15-0.3-0.5-0.75-1.0-1.25-1.5-1.75-2.0-2.5-3.0 L/Mn
3.	0-0.5-1.0-1.5-2.0-2.5-3.0-5.0-6.0-7.0-10.0-15.0 L/Mn

Model	Maximum Inlet Pressure	For Reactive gases and/or non-reactive gases	Flow rates	Inlet Connection	Outlet Connection	Gauge	Weight Kg
3002	0 to 1200 psig/ 83 bar	Aluminum Anodized For Non- Reactive Gases	Refer flow rate table	5/8"x18UN C10	3/16" Barb 4.8mm	Brass 0 to 1500 psig 103 bar	0.200 Kg

VONIX

Vonix Limited

E: info@vonix.co.uk
W: www.vonix.co.uk

vonix

Vonix Limited
info@vonix.co.uk

www.vonix.co.uk