



Vonix Limited  
www.vonix.co.uk

# Self Closing Valves

For Gas Cylinders



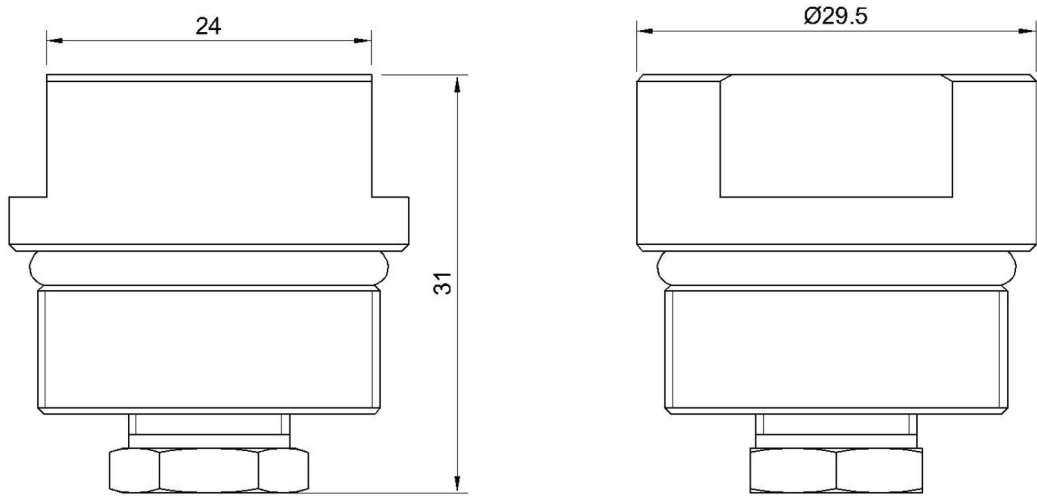
PRODUCT CODE SERIES 100

**vonix**



## C10-R-1"-5/8"-SS-π

Product Code: 101



The C10 valve approved to EN ISO 17879 & ADR is a self-closing cylinder valve used for portable, refillable calibration gas cylinders.

### Materials of construction

Body	Stainless Steel
Valve Pin	Stainless Steel
Valve Seat	Stainless Steel
Seats and Seals	Viton

Model	Working Pressure	For Reactive gases and/or non-reactive gases	Inlet Connection	Outlet Connection	Weight Kg
101	0 to 1305 psig/ 90 bar	Stainless Steel for Reactive Gases and Non-reactive Gases	1" x 14UN	5/8" x 18UN	0.090 Kg

**Warranty:-** All valves are warranted for 12 months.

**VONIX**

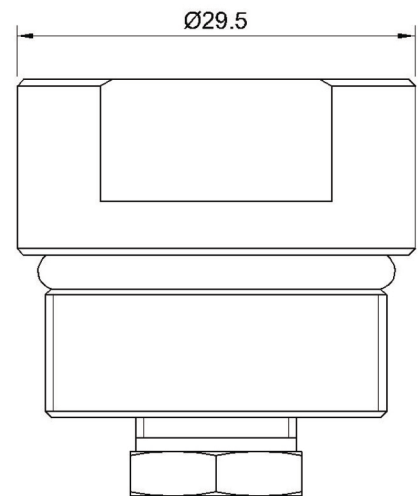
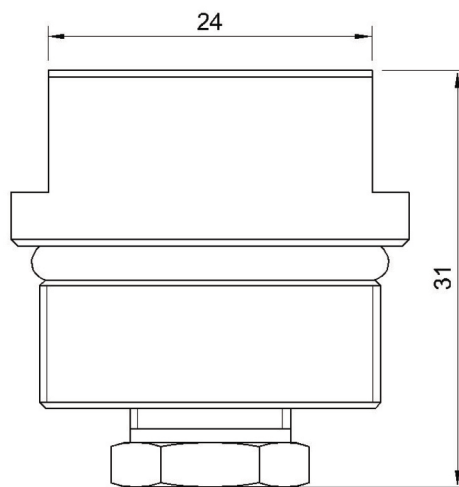
Vonix Limited

E: [info@vonix.co.uk](mailto:info@vonix.co.uk)  
W: [www.vonix.co.uk](http://www.vonix.co.uk)



## C10-R-1"-5/8"-SS

Product Code: 102



The C10 valve is a self-closing cylinder valve used for portable, refillable calibration gas cylinders.

### Materials of construction

Body	Stainless Steel
Valve Pin	Stainless Steel
Valve Seat	Stainless Steel
Seats and Seals	Viton

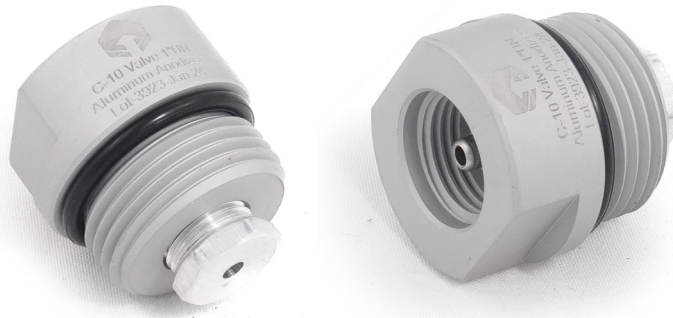
Model	Working Pressure	For Reactive gases and/or non-reactive gases	Inlet Connection	Outlet Connection	Weight Kg
102	0 to 1305 psig/ 90 bar	Stainless Steel for Reactive Gases and Non-reactive Gases	1" x 14UN	5/8" x 18UN	0.090 Kg

**Warranty:-** All valves are warranted for 12 months.

# VONIX

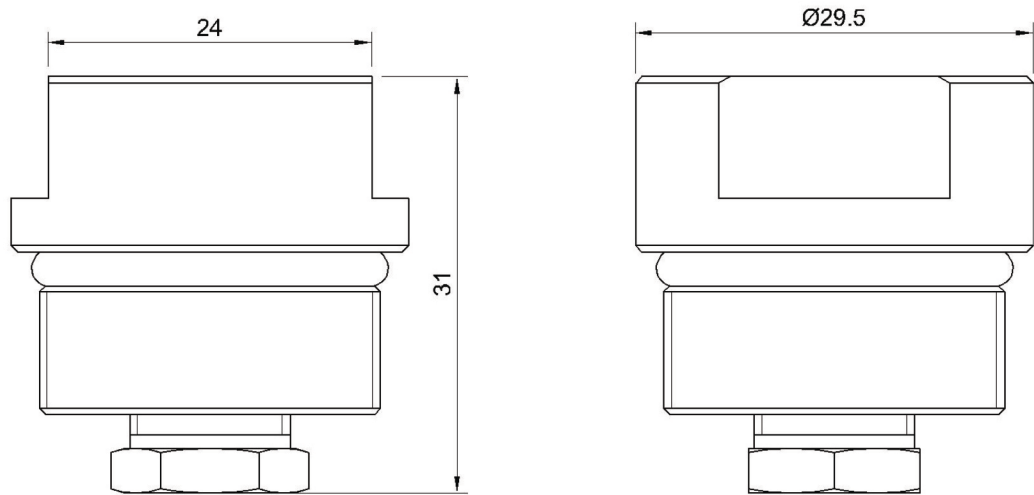
Vonix Limited

E: [info@vonix.co.uk](mailto:info@vonix.co.uk)  
W: [www.vonix.co.uk](http://www.vonix.co.uk)



## C10-R-1"-5/8"-Al

Product Code: 103



The C10 valve is a self-closing cylinder valve used for portable, refillable calibration gas cylinders.

### Materials of construction

Body	Aluminum Silver Anodized
Valve Pin	Stainless Steel
Valve Seat	Stainless Steel
Seats and Seals	Viton & Buna-N

Model	Working Pressure	For Reactive gases and/or non-reactive gases	Inlet Connection	Outlet Connection	Weight Kg
103	0 to 1305 psig/ 90 bar	Aluminum Anodized for Reactive Gases & non-reactive gases	1" x 14UN	5/8" x 18UN	0.035 Kg

**Warranty:-** All valves are warranted for 12 months.

# VONIX

Vonix Limited

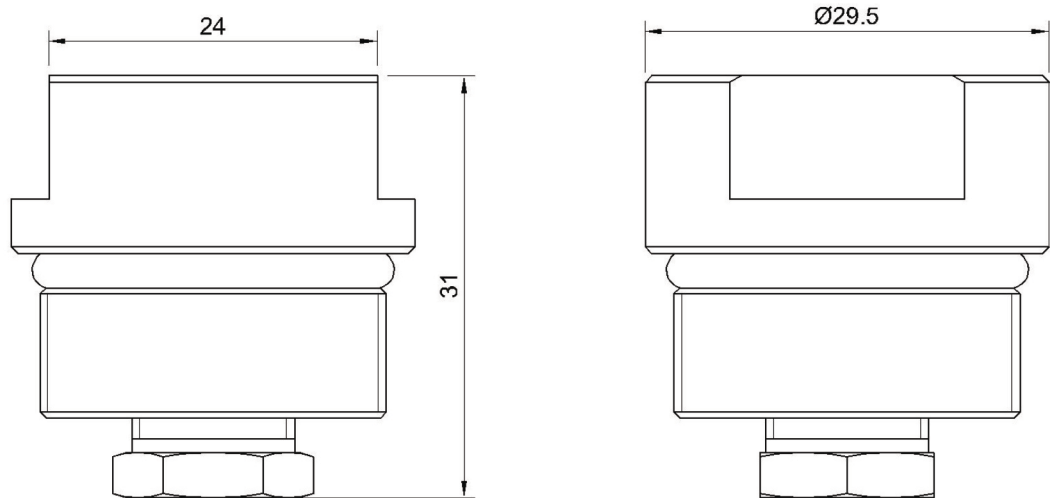
E: [info@vonix.co.uk](mailto:info@vonix.co.uk)  
W: [www.vonix.co.uk](http://www.vonix.co.uk)





## C10-R-1"-5/8"-BRASS

Product Code: 104



The C10 valve is a self-closing cylinder valve used for portable, refillable calibration gas cylinders.

### Materials of constructions

Body	Brass
Valve Pin	Brass
Valve Seat	Brass
Seats and Seals	Viton

Model	Working Pressure	For Reactive gases and/or non-reactive gases	Inlet Connection	Outlet Connection	Weight Kg
104	0 to 1305 psig/ 90 bar	Brass for non-reactive gases	1" x 14UN	5/8" x 18UN	0.100 Kg

**Warranty:-** All valves are warranted for 12 months.

# VONIX

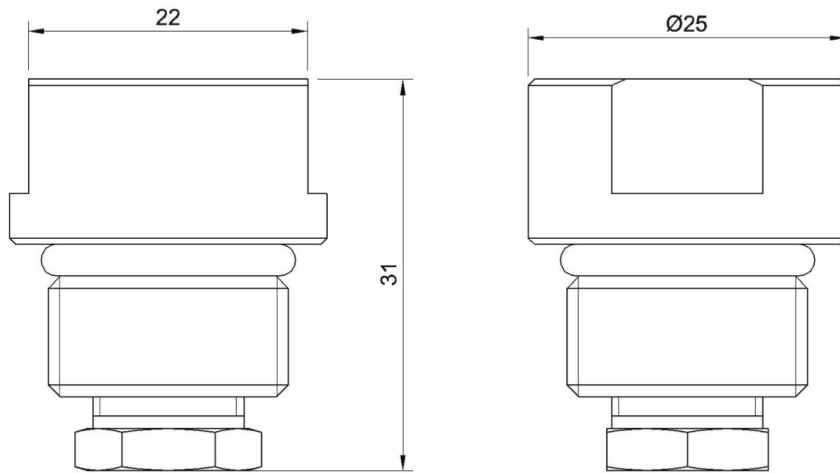
Vonix Limited

E: [info@vonix.co.uk](mailto:info@vonix.co.uk)  
W: [www.vonix.co.uk](http://www.vonix.co.uk)



## C10-R-3/4"-5/8"-SS

Product Code: 105



The C10 valve is a self-closing cylinder valve used for portable, refillable calibration gas cylinders.

### Materials of construction

Body	Stainless Steel
Valve Pin	Stainless Steel
Valve Seat	Stainless Steel
Seats and Seals	Viton

Model	Working Pressure	For Reactive gases and/or non-reactive gases	Inlet Connection	Outlet Connection	Weight Kg
105	0 to 1305 psig/ 90 bar	Stainless Steel for Reactive Gases and Non-reactive Gases	3/4" x 16 UN	5/8" x 18UN	0.053 Kg

**Warranty:-** All valves are warranted for 12 months.

# VONIX

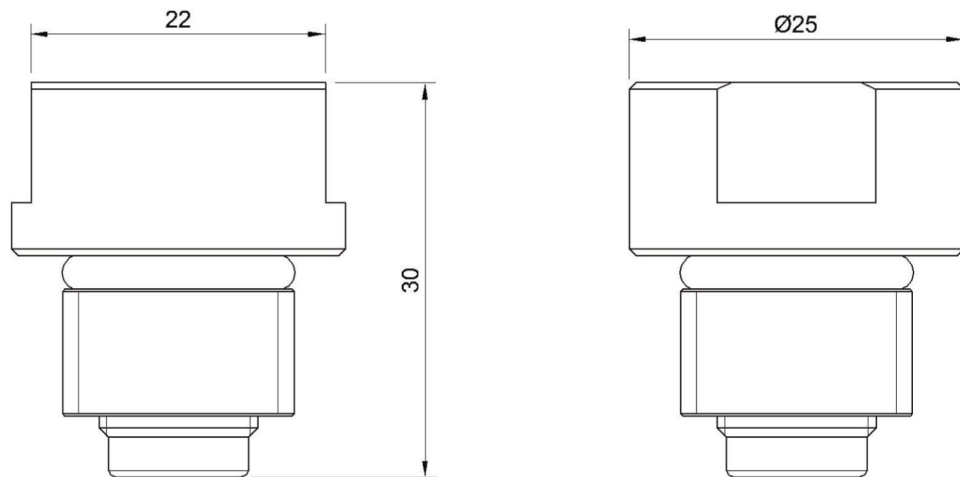
Vonix Limited

E: [info@vonix.co.uk](mailto:info@vonix.co.uk)  
W: [www.vonix.co.uk](http://www.vonix.co.uk)



## C10-R-5/8"-5/8"-SS

Product Code: 106



The C10 valve is a self-closing cylinder valve used for portable, refillable calibration gas cylinders.

### Materials of construction

Body	Stainless Steel
Valve Pin	Stainless Steel
Valve Seat	Stainless Steel
Seats and Seals	Viton

Model	Working Pressure	For Reactive gases and/or non-reactive gases	Inlet Connection	Outlet Connection	Weight Kg
106	0 to 1305 psig/ 90 bar	Stainless Steel for Reactive Gases and Non-reactive Gases	5/8" x 18UN	5/8" x 18UN	0.053 Kg

**Warranty:-** All valves are warranted for 12 months.

# VONIX

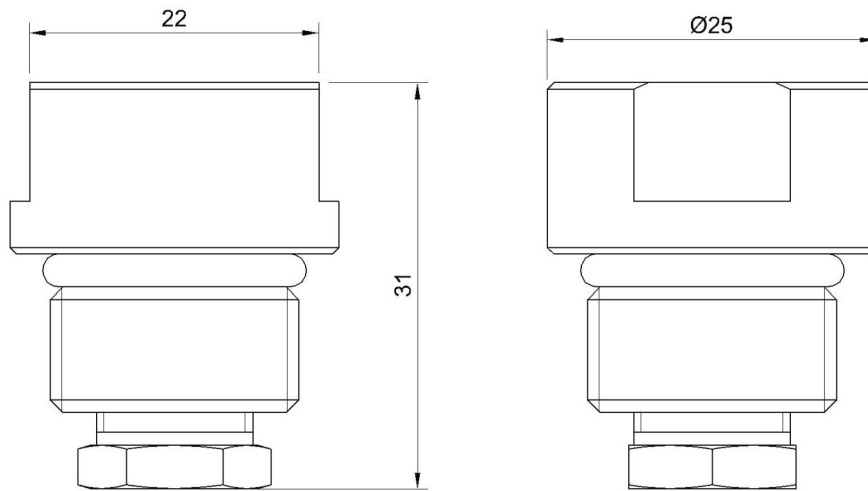
Vonix Limited

E: [info@vonix.co.uk](mailto:info@vonix.co.uk)  
W: [www.vonix.co.uk](http://www.vonix.co.uk)



## C10-R-M18-5/8"-SS

Product Code: 107



The C10 valve is a self-closing cylinder valve used for portable, refillable calibration gas cylinders.

### Materials of construction

Body	Stainless Steel
Valve Pin	Stainless Steel
Valve Seat	Stainless Steel
Seats and Seals	Viton

Model	Working Pressure	For Reactive gases and/or non-reactive gases	Inlet Connection	Outlet Connection	Weight Kg
107	0 to 1305 psig/ 90 bar	Stainless Steel for Reactive Gases and Non-reactive Gases	M18 x 1.5	5/8" x 18UN	0.061 Kg

**Warranty:-** All valves are warranted for 12 months.

# VONIX

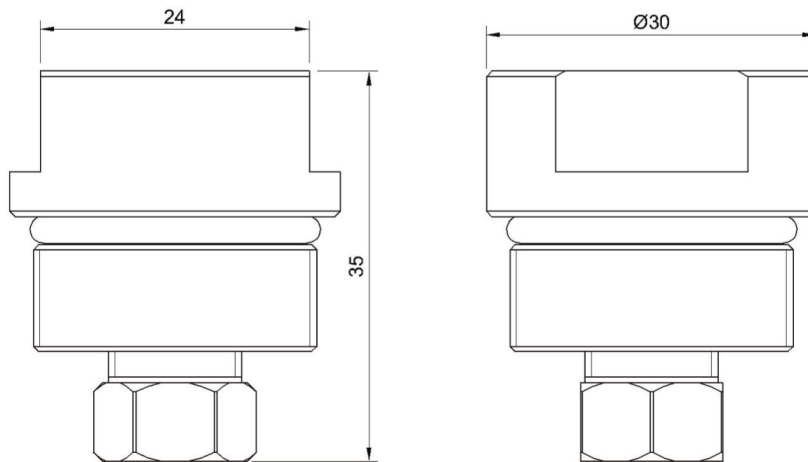
Vonix Limited

E: [info@vonix.co.uk](mailto:info@vonix.co.uk)  
W: [www.vonix.co.uk](http://www.vonix.co.uk)



## C10-NR-1"-5/8"-SS

Product Code: 108



The non-refillable C10 valve is a self-closing cylinder valve used for portable, non-refillable calibration gas cylinders.

### Materials of construction

Body	Stainless Steel
Valve Pin	Stainless Steel
Valve Seat	Stainless Steel
Seats and Seals	Viton

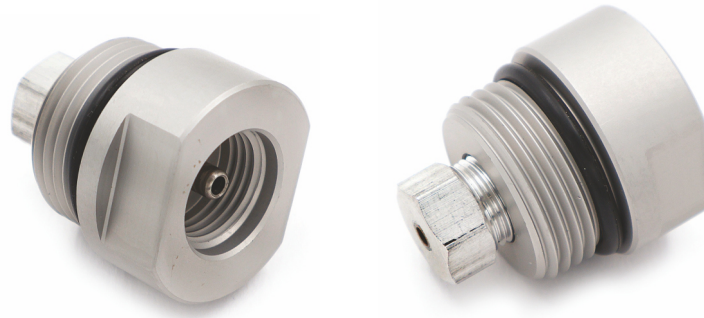
Model	Working Pressure	For Reactive gases and/or non-reactive gases	Inlet Connection	Outlet Connection	Weight Kg
108	0 to 1305 psig/ 90 bar	Stainless Steel for Reactive Gases and Non-reactive Gases	1" x 14UN	5/8" x 18UN	0.091 Kg

**Warranty:-** All valves are warranted for 12 months.

# VONIX

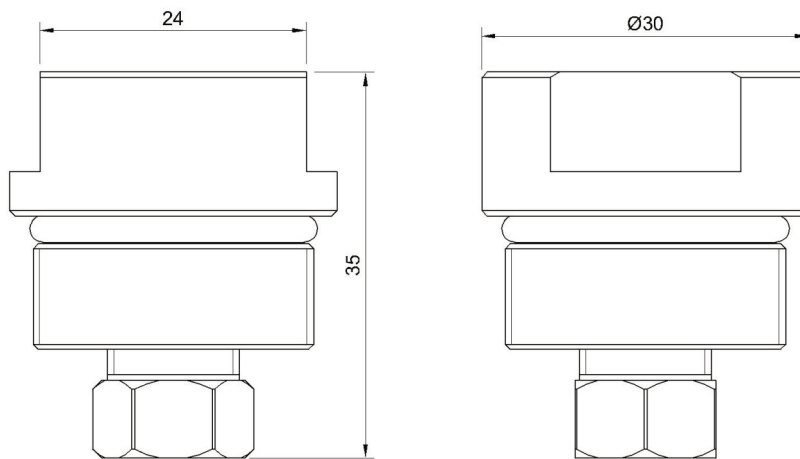
Vonix Limited

E: [info@vonix.co.uk](mailto:info@vonix.co.uk)  
W: [www.vonix.co.uk](http://www.vonix.co.uk)



## C10-NR-1"-5/8"-AI

Product Code: 109



The non-refillable C10 valve is a self-closing cylinder valve used for portable, non-refillable calibration gas cylinders.

### Materials of construction

Body	Aluminum Silver Anodizing
Valve Pin	Stainless Steel
Valve Seat	Stainless Steel
Seats and Seals	Viton & Buna-N

Model	Working Pressure	For Reactive gases and/or non-reactive gases	Inlet Connection	Outlet Connection	Weight Kg
109	0 to 1300 psig/ 90 bar	Aluminum for non - reactive gases	1" x 14UN	5/8" x 18UN	0.037 Kg

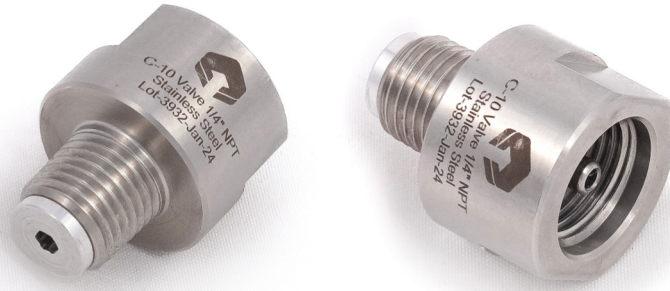
**Warranty:-** All valves are warranted for 12 months.

# VONIX

Vonix Limited

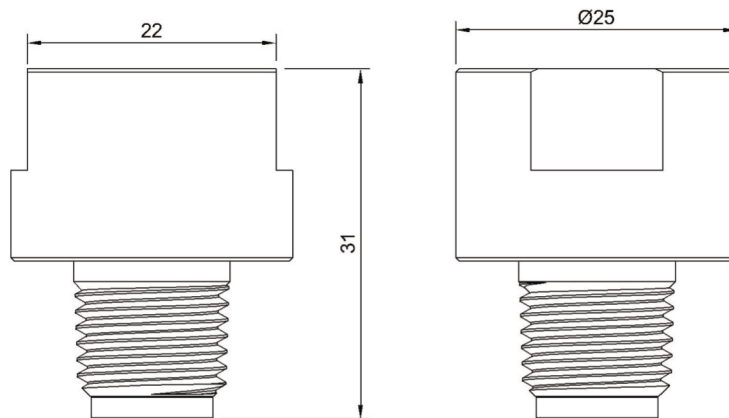
E: [info@vonix.co.uk](mailto:info@vonix.co.uk)  
W: [www.vonix.co.uk](http://www.vonix.co.uk)





## C10-R-1/4"-5/8"-SS

Product Code: 110



The C10 valve is a self-closing cylinder valve used for portable, refillable calibration gas cylinders.

### Materials of construction

Body	Stainless Steel
Valve Pin	Stainless Steel
Valve Seat	Stainless Steel
Seats and Seals	Viton

Model	Working Pressure	For Reactive gases and/or non-reactive gases	Inlet Connection	Outlet Connection	Weight Kg
110	0 to 1305 psig/ 90 bar	Stainless Steel for Reactive Gases and non-reactive gases	¼" NPTM	5/8" x 18UN	0.057 Kg

**Warranty:-** All valves are warranted for 12 months.

# VONIX

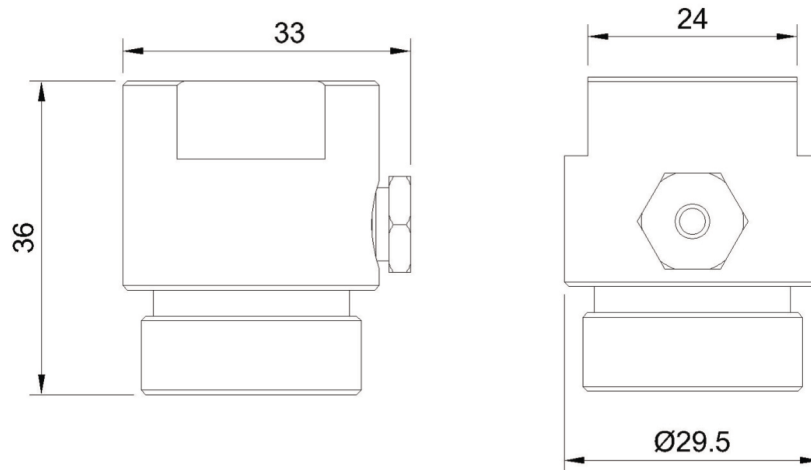
Vonix Limited

E: [info@vonix.co.uk](mailto:info@vonix.co.uk)  
W: [www.vonix.co.uk](http://www.vonix.co.uk)



## C10-R-1"-5/8"-SS-BD

Product Code: 111



The C10 valve with Burst Disc is a self-closing cylinder valve used for portable, refillable calibration gas cylinders. This valve has a Burst Disc safety mechanism.

### Materials of construction

Body	Stainless Steel
Valve Pin	Stainless Steel
Valve Seat	Stainless Steel
Seats and Seals	Viton

Model	Working Pressure	For Reactive gases and/or non-reactive gases	Inlet Connection	Outlet Connection	Weight Kg
111	Refer table	Stainless Steel for Reactive Gases and non-reactive gases	1" X 14 UN	5/8" x 18UN	0.135 Kg

Working Pressure	Burst disc pressure
0-600 psi	0-900 psi @ 63°C
0- 1200 psi	0-1750 psi @ 63°C

**Warranty:-** All valves are warranted for 12 months.

# Vonix

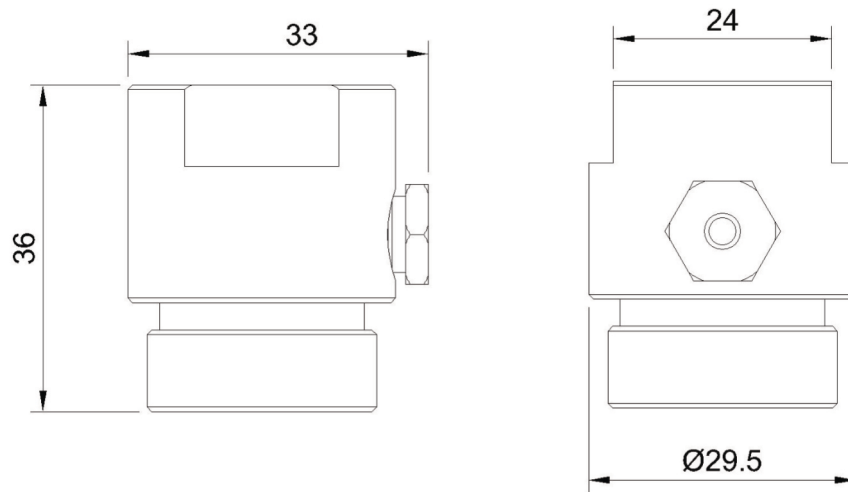
Vonix Limited

E: [info@vonix.co.uk](mailto:info@vonix.co.uk)  
W: [www.vonix.co.uk](http://www.vonix.co.uk)



## C10-R-1"-5/8"-Al-BD

Product Code: 112



The C10 valve with Burst Disc is a self-closing cylinder valve used for portable, refillable calibration gas cylinders. This valve has a Burst Disc safety mechanism.

### Materials of construction

Body	Aluminum Anodized
Valve Pin	Stainless Steel
Valve Seat	Stainless Steel
Seats and Seals	Viton

Model	Working Pressure	For Reactive gases and/or non-reactive gases	Inlet Connection	Outlet Connection	Weight Kg
112	0 to 1305 psig/ 90 bars	Aluminum for Reactive Gases and non-reactive gases	1" X 14 UN	5/8" x 18UN	0.057Kg

**Warranty:-** All valves are warranted for 12 months.

# VONIX

Vonix Limited

E: [info@vonix.co.uk](mailto:info@vonix.co.uk)  
W: [www.vonix.co.uk](http://www.vonix.co.uk)

**vonix**

Vonix Limited  
info@vonix.co.uk

[www.vonix.co.uk](http://www.vonix.co.uk)