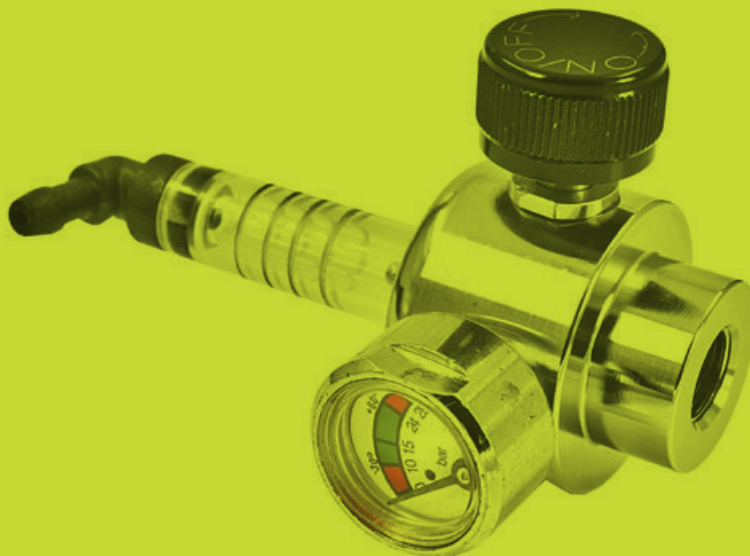




Vonix Limited
www.vonix.co.uk

Flow Control Valves

For Gas Cylinders



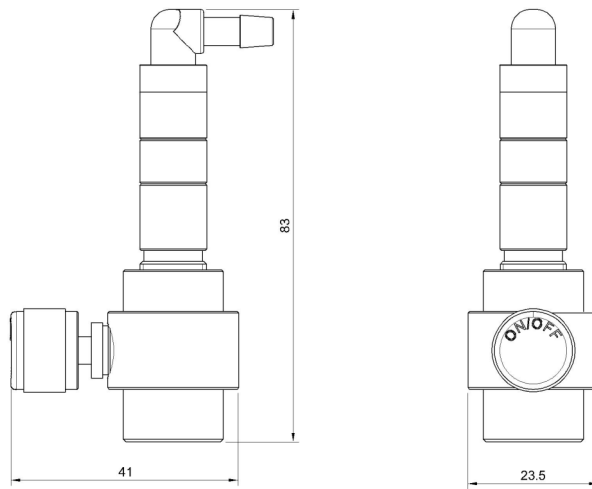
PRODUCT CODE SERIES: 200

vonix



FLOW CONTROL VALVE-AEROSOL BRASS NP

Product Code: 201



The flow control valve aerosol is used for non-reactive calibration gases and industrial safety monitors.

Materials of construction

Body	Brass Nickel Plated
Spindle & Nut	Brass
Knob	Aluminum black anodized
Flow Meter	Acrylic
Seats and Seal	Buna-N

Model	Working Pressure	For Reactive gases and/or non-reactive gases	Inlet Connection	Outlet Connection	Weight Kg
201	0 to 300 psig/ 20 bar	Brass NP for non-reactive gases	Aerosol	3/16" Barb Hose	0.089 Kg

Warranty:- All valves are warranted for 12 months.

VONIX

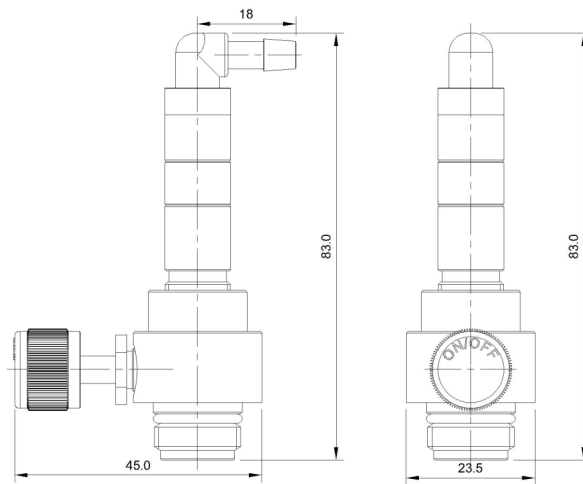
Vonix Limited

E: info@vonix.co.uk
W: www.vonix.co.uk



FLOW CONTROL VALVE-C10 BRASS NP

Product Code: 202



The flow control valve C10 is used for non-reactive calibration gases and industrial safety monitors.

Materials of construction

Body	Brass Nickel Plated
Spindle & Nut	Brass
Knob	Aluminum black anodized
Flow Meter	Acrylic
Seats and Seal	Buna-N, Viton

Model	Working Pressure	For Reactive gases and/or non-reactive gases	Inlet Connection	Outlet Connection	Weight Kg
202	0 to 1200 psig/ 83 bar	Brass NP for non-reactive gases	5/8" x 18UN -C10	3/16" Barb Hose	0.086 Kg

Warranty:- All valves are warranted for 12 months.

VONIX

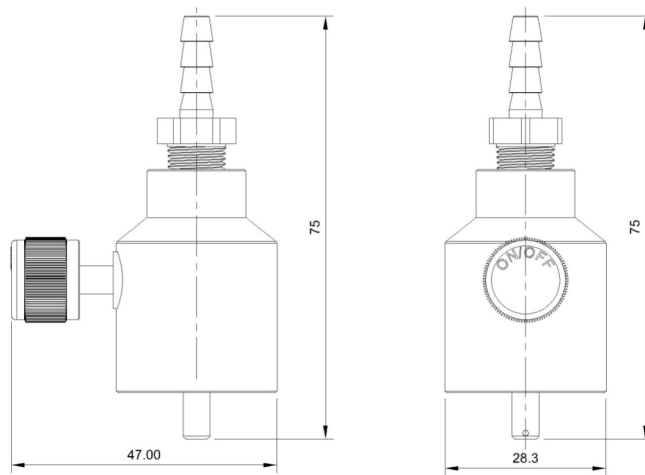
Vonix Limited

E: info@vonix.co.uk
W: www.vonix.co.uk



FCV-CGA-600-3/16" BARB HOSE BRASS

Product Code: 203



The flow control valve CGA-600 inlet is used for non-reactive calibration gases and industrial safety monitors.

Materials of construction

Body	Brass
Spindle & Nut	Brass
Knob	Aluminum black anodized
Barb Hose	Brass
Seats and Seal	Buna-N

Model	Working Pressure	For Reactive gases and/or non-reactive gases	Inlet Connection	Outlet Connection	Weight Kg
203	0 to 600 psig/ 40 bar	Brass for non-reactive gases	CGA-600	3/16" Barb Hose	0.141 Kg

Warranty:- All valves are warranted for 12 months.

VONIX

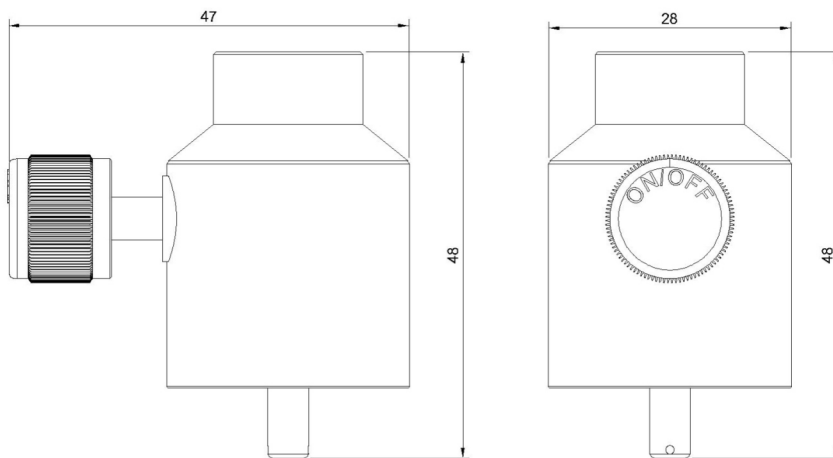
Vonix Limited

E: info@vonix.co.uk
W: www.vonix.co.uk



FCV-CGA-600-1/8" FNPT BRASS

Product Code: 204



The flow control valve CGA-600 inlet is used for non-reactive calibration gases and industrial safety monitors.

Materials of construction

Body	Brass
Spindle & Nut	Brass
Knob	Aluminum black anodized
Seats and Seal	Buna-N

Model	Working Pressure	For Reactive gases and/or non-reactive gases	Inlet Connection	Outlet Connection	Weight Kg
204	0 to 600 psig/ 40 bar	Brass for non-reactive gases	CGA-600	1/8" FNPT	0.128 Kg

Warranty:- All valves are warranted for 12 months.

VONIX

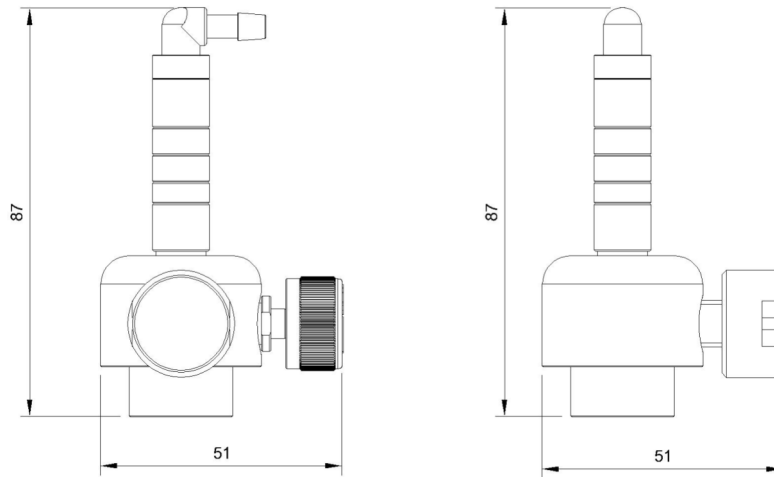
Vonix Limited

E: info@vonix.co.uk
W: www.vonix.co.uk



FCV-S FLOW-F1 BRASS NP

Product Code: 205



The flow control valve S Flow- F1 is used for non-reactive calibration gases and industrial safety monitors.

Materials of construction

Body	Brass Nickel Plated
Spindle & Nut	Brass
Knob	Aluminum black anodized
Flow Meter	Acrylic
Seats and Seal	Buna-N

Model	Working Pressure	For Reactive gases and/or non-reactive gases	Inlet Connection	Outlet Connection	Weight Kg
205	0 to 300 psig/ 20 bar	Brass NP for non-reactive gases	Aerosol	3/16" Barb Hose	0.233 Kg

Warranty:- All valves are warranted for 12 months.

VONIX

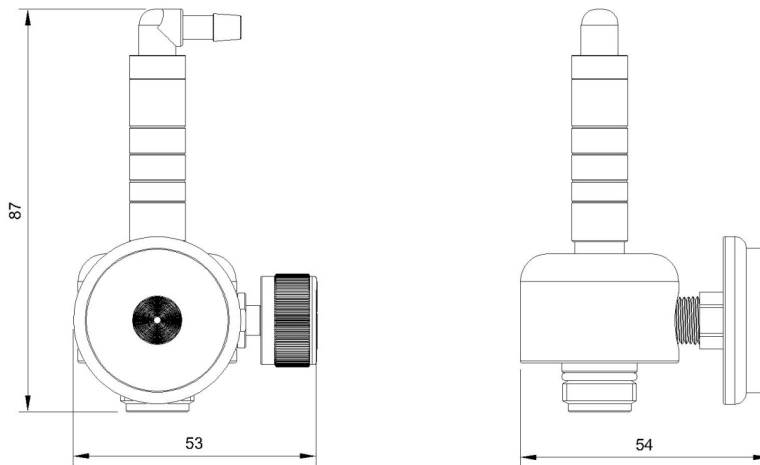
Vonix Limited

E: info@vonix.co.uk
W: www.vonix.co.uk



FCV-S FLOW-F2 BRASS NP

Product Code: 206



The flow control valve S Flow- F2 is used for non-reactive calibration gases and industrial safety monitors.

Materials of construction

Body	Brass Nickel Plated
Spindle & Nut	Brass
Knob	Aluminum black anodized
Flow Meter	Acrylic
Seats and Seal	Buna-N, Viton

Model	Working Pressure	For Reactive gases and/or non-reactive gases	Inlet Connection	Outlet Connection	Weight Kg
206	0 to 1200 psig/ 83 bar	Brass for non-reactive gases	5/8" X 18UN -C10	3/16" Barb Hose	0.209 Kg

Warranty:- All valves are warranted for 12 months.

VONIX

Vonix Limited

E: info@vonix.co.uk
W: www.vonix.co.uk

vonix

Vonix Limited
info@vonix.co.uk

www.vonix.co.uk